

## PERFORMANCE DATA SHEET NEMA PREMIUM NR CAN NEMA 12 - 12

Catalogue #: **MPOP-22**

| HP | kW   | Voltage | S.F. @ 60Hz | EFF.  | P.F. | Frame | Design | L.R. Amps |
|----|------|---------|-------------|-------|------|-------|--------|-----------|
| 5  | 3.73 | 575     | 1.15        | 89.5% | 0.79 | 184T  | B      | 37        |

| 60 Hz |     |     |     |     |     |      |      |          |
|-------|-----|-----|-----|-----|-----|------|------|----------|
| FLA   |     |     |     |     |     |      | Code | F.L. RPM |
| 208   | 230 | 416 | 460 | 480 | 575 | 600  |      |          |
| /     | /   | /   | /   | /   | 5.4 | 5.18 | J    | 1770     |

| 50 Hz |     |     |             |            |              |      |          |  |
|-------|-----|-----|-------------|------------|--------------|------|----------|--|
| FLA   |     |     | S.F. @ 50Hz | Efficiency | Power Factor | Code | F.L. RPM |  |
| 190   | 380 | 415 |             |            |              |      |          |  |
| /     | /   | /   | /           | /          | /            | /    | /        |  |

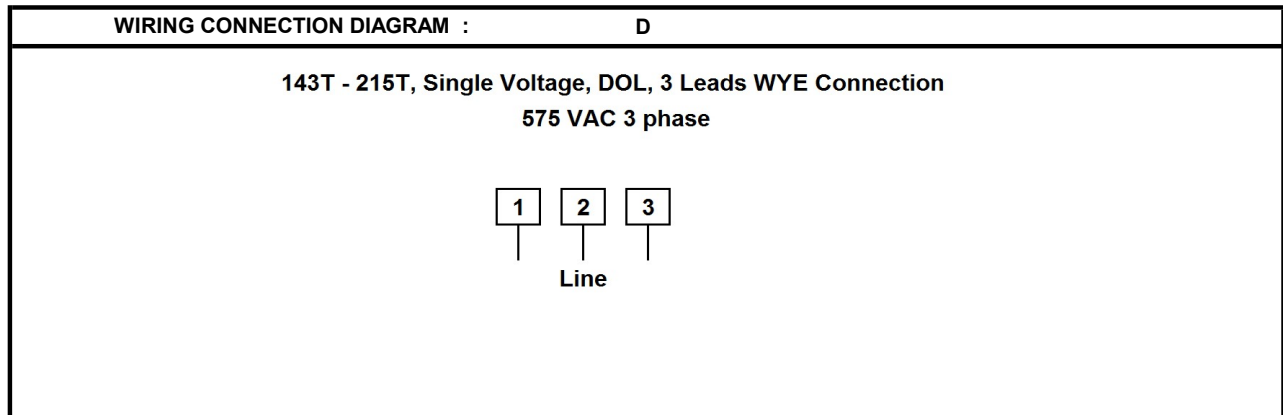
| Wgt. Lbs | PH | Duty  | Insul. Class | Amb. | Elevation       | Temp. Rise° C |
|----------|----|-------|--------------|------|-----------------|---------------|
| 112      | 3  | Cont. | F            | 40°C | 1000M (3300 Ft) | 42            |

| % Efficiency |       | % Power Factor |      | Torque           |      | Winding Resist. Ω | Safe Cold Start (Secs) |
|--------------|-------|----------------|------|------------------|------|-------------------|------------------------|
| Full Load:   | 89.5% | Full Load:     | 0.79 | Full Load Ft/Lbs | 14.8 |                   |                        |
| 3/4 Load:    | 89.8% | 3/4 Load:      | 0.74 | Locked Rotor %   | 190  |                   |                        |
| 1/2 Load:    | 89.0% | 1/2 Load:      | 0.62 | Break Down %     | 280  |                   |                        |

| Rotor Inertia Wk2 Lb-Ft2 | Max Load Inertia Wk2 Lb-Ft2 | Shaft Material | Frame Material | DE Bracket Type | ODE Bracket Type | Enclosure | NEMA Rating | Lead Wire Size |
|--------------------------|-----------------------------|----------------|----------------|-----------------|------------------|-----------|-------------|----------------|
| 0.24                     | 40                          | Standard       | Rolled Steel   | Standard        | Standard         | ODP       | IP23        | 14 AWG         |

| Ball Bearings |      | Grease          | Mount Type | Orientation | Paint | Sound Pressure @ 3FT | Sound Power |
|---------------|------|-----------------|------------|-------------|-------|----------------------|-------------|
| DE            | ODE  |                 |            |             |       |                      |             |
| 6206          | 6206 | Sealed Bearings | Rigid      | Horizontal  | Green | 64                   | 74          |

| Inverter Duty.<br>Motor meets MG1 parts 31.4.4.2 | Constant Torque Range | Variable Torque Range | Constant HP RPM |
|--------------------------------------------------|-----------------------|-----------------------|-----------------|
|                                                  | 10:1                  | 20:1                  | 2700            |

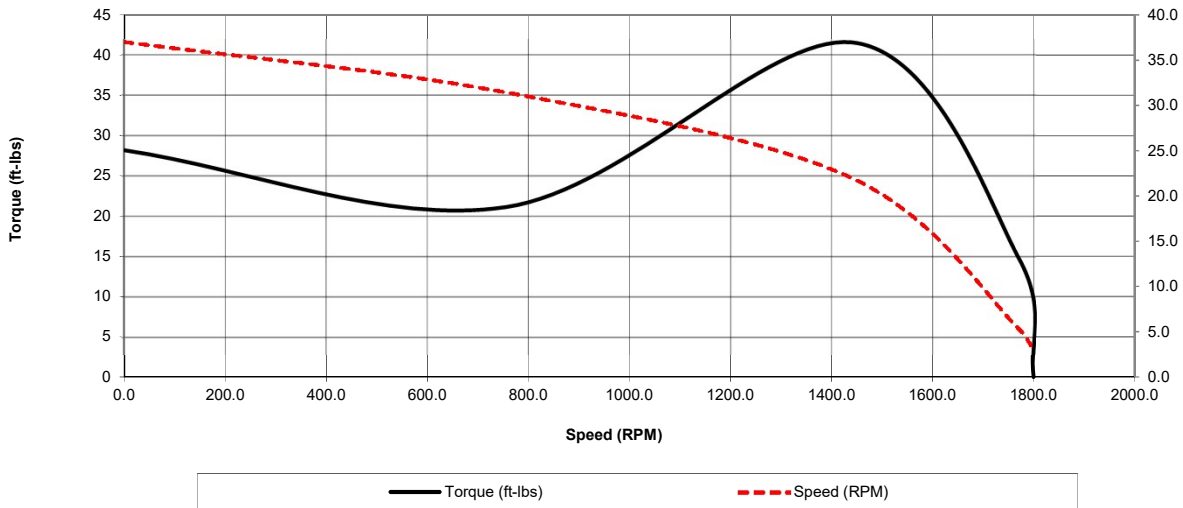


Date: 2020-02-17  
 Customer: \_\_\_\_\_  
 Contact: \_\_\_\_\_  
 Submittee: J.C. Lavallée

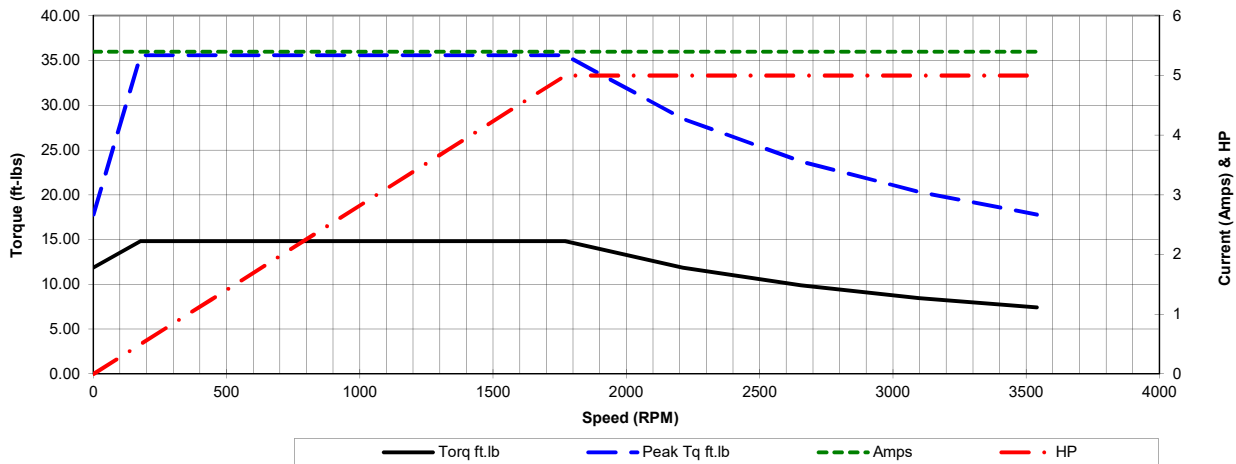
Catalogue #: **MPOP-22**

| NEMA PREMIUM NR CAN NEMA 12 - 12 |              |         |           |            |           |                                      |        |                |                  |               |
|----------------------------------|--------------|---------|-----------|------------|-----------|--------------------------------------|--------|----------------|------------------|---------------|
| HP                               | VAC          | RPM     | Enclosure | Frame      | Frequency | Design                               | Poles  | LR Code Letter | Insulation Class | Temp. Rise °C |
| 5                                | 575          | 1770    | ODP       | 184T       | 60        | B                                    | 4      | J              | F                | 42            |
|                                  | 0Hz          | 6Hz     | 15Hz      | 30Hz       | 45Hz      | 60Hz                                 | 75Hz   | 90Hz           | 105Hz            | 120Hz         |
| Amps                             | 5.4          | 5.4     | 5.4       | 5.4        | 5.4       | 5.4                                  | 5.4    | 5.4            | 5.4              | 5.4           |
| RPM                              | 0            | 177     | 442.5     | 885        | 1327.5    | 1770                                 | 2212.5 | 2655           | 3097.5           | 3540          |
| Torq ft.lb                       | 11.87        | 14.84   | 14.84     | 14.84      | 14.84     | 14.84                                | 11.87  | 9.89           | 8.48             | 7.42          |
| Peak Tq ft.lb                    | 17.80        | 35.61   | 35.61     | 35.61      | 35.61     | 35.61                                | 28.49  | 23.74          | 20.35            | 17.80         |
| HP                               | 0            | 0.5     | 1.3       | 2.5        | 3.8       | 5.0                                  | 5.0    | 5.0            | 5.0              | 5.0           |
|                                  | Locked Rotor | Pull-Up | Breakdown | Rated Load | Idle      | Duty                                 | S. F.  | Ambient        | Elevation        | dBA @ 1M      |
| Speed (RPM)                      | 0.0          | 756     | 1440      | 1770       | 1800      | Continuous                           | 1.15   | 40°C           | 3300 ft          | 64            |
| Current (Amps)                   | 37.0         | 31.5    | 22.0      | 5.4        | 2.8       | VFD Rating: Meets MG1 parts 31.4.4.2 |        |                |                  |               |
| Torque (ft.-lbs)                 | 28.2         | 21.1    | 41.5      | 14.8       | 0.0       | C.T.                                 | 10:1   | V.T.           | 20:1             |               |

Motor Speed Data



Motor Torque Capability vs RPM





Date: 2020-02-17  
 Customer: \_\_\_\_\_  
 Contact: \_\_\_\_\_  
 Submittee: J.C. Lavallée

Catalogue #: **MPOP-22**

| NEMA PREMIUM NR CAN NEMA 12 - 12 |                     |                |                  |                   |             |                                             |              |                |                  |                 |
|----------------------------------|---------------------|----------------|------------------|-------------------|-------------|---------------------------------------------|--------------|----------------|------------------|-----------------|
| HP                               | VAC                 | RPM            | Enclosure        | Frame             | Frequency   | Design                                      | Poles        | LR Code Letter | Insulation Class | Temp. Rise °C   |
| 5                                | 575                 | 1770           | ODP              | 184T              | 60          | B                                           | 4            | J              | F                | 42              |
| <b>Load %</b>                    | <b>0%</b>           | <b>25%</b>     | <b>50%</b>       | <b>75%</b>        | <b>100%</b> | <b>125%</b>                                 | <b>150%</b>  |                |                  |                 |
| <b>Amps</b>                      | 2.80                | 3.00           | 3.58             | 4.40              | 5.40        | 6.39                                        | 7.49         |                |                  |                 |
| <b>Torq ft/lbs</b>               | 0                   | 3.70           | 7.38             | 11.14             | 14.97       | 18.90                                       | 22.79        |                |                  |                 |
| <b>RPM</b>                       | 0                   | 1792.5         | 1785             | 1777.5            | 1770        | 1762.5                                      | 1755         |                |                  |                 |
| <b>Eff</b>                       | 0                   | 80.44          | 89.00            | 89.80             | 89.50       | 89.50                                       | 89.50        |                |                  |                 |
| <b>PF</b>                        | 0                   | 38.8           | 62               | 74                | 79          | 81.9                                        | 83.8         |                |                  |                 |
|                                  | <b>Locked Rotor</b> | <b>Pull-Up</b> | <b>Breakdown</b> | <b>Rated Load</b> | <b>Idle</b> | <b>Duty</b>                                 | <b>S. F.</b> | <b>Ambient</b> | <b>Elevation</b> | <b>dBa @ 1M</b> |
| <b>Speed (RPM)</b>               | 0                   | 756            | 1440             | 1770              | 1800        | Continuous                                  | 1.15         | 40°C           | 3300 ft          | 64              |
| <b>Current (Amps)</b>            | 37                  | 31.5           | 22.0             | 5.4               | 2.8         | <b>VFD Rating: Meets MG1 parts 31.4.4.2</b> |              |                |                  |                 |
| <b>Torque (ft-lbs)</b>           | 28.19               | 21.14          | 41.54            | 14.84             | 0.0         | C.T.                                        | 10:1         | V.T.           | 20:1             |                 |

